



AIR TRAY[®]
TECHNOLOGIES

2023 Product Collection



On behalf of Blackmore Company and our partners, I am proud to introduce our patented 2023 Air Tray® assortment. Innovation continues to be a driver in our company culture and this catalog is a testament to that.

The Air Tray® line of patented trays was designed specifically to prevent root spiraling. The Air Tray® design creates an air space around the Ellepot root zone to maximize the amount of contact the air can have with the roots. Roots are then air-pruned resulting in lateral root formation throughout the root zone and preventing singular tap root formation. This improves the structural integrity and stability in root systems and success after transplant. There is no other tray line like this on the market.

Ellepot – The Air Tray® was designed with the Ellepot in mind. Together these combined technologies provide growers with a sustainable, plantable alternative to the plastic pot, reducing plastic inputs by up to 95% and increasing the speed of transplanting by up to 40%

Air Tray® Racks – A low-cost option to elevate plants in production reducing the risk of soil-borne pathogens and facilitating plant movement throughout the nursery through a fork-lift compatible system that can move multiple Air Trays at a time to more centralized locations to optimize your utilization of labor. Patent pending.

Automation – We offer a wide array of automation systems from Ellepot manufacturing to transplanting. We recognize labor continues to be a limiting resource and have selected options that can be integrated to form a complete production line.

Notably, an exciting addition to the Air Tray® line this year is our breakthrough into larger sizes, reaching up to a gallon capacity in cell volume. These new Air Trays® now offer a viable alternative for finished producers who look for a more sustainable alternative to the plastic pot. Through close collaborations with our valued industry partners, we have identified some key technologies that provide a complete production solutions when combined with the Air Tray®. We have grouped these together and define them as Air Tray® Technologies. Some key highlights:

Sustainability is a major focus for us and it is worth noting that the majority of the plastic used to manufacture the Air Tray® is made from recycled plastics, a portion directly from recycled Air Trays® themselves. Closing the loop on our plastic production is an important initiative for us and we are proud to offer recycling options to all of our customers. Additionally, for growers looking for long-lasting injection molded trays, our partner Proptek, the leader in long-life trays, offers an exclusive line of injection molded Air Trays®. We look forward to tailoring the perfect Air Tray solution for you, to help you find value for your business today and tomorrow!

Skip Blackmore

Welcome to the future of sustainable production technologies.

Welcome to Air Tray®

PATENTED AIR TRAY®

Superior Root Architecture
Up to 5x More Root Volume



AUTOMATION

Reduce Labor
Gain Efficiencies
Seeding Consolidation



ELLEPOT

Plantable Pot
Eliminate Root Damage
Labor Reduction



AIR TRAY® RACKS (Patent Pending)

Consolidate Movement
Minimize Pathogens
Moves Plants to People

AIR TRAY® TECHNOLOGIES.

Find Value, Optimize Labor, and Reduce Plastic



AIR TRAY® TECHNOLOGIES

Discover the Difference

www.air-trays.com

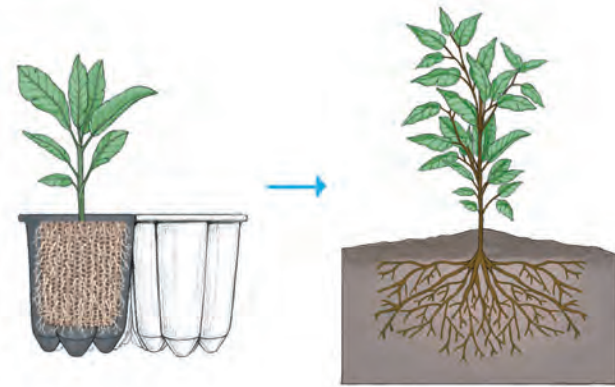


BLACKMORE COMPANY

ESTABLISHED 1965

Catalogue Index

Air Trays® for Propagation (patented).....	3
Thermoform	4
Injection Molded	6
Air Trays® for Step-up & Finished Production (patented) ..	10
Thermoform	11
Injection Molded	18
Air Tray® Technologies	20
Ellepot	21
Air Tray® Racks (patent pending)	22
Automation.....	23
Contact Us	24
Pioneer Pot (patented)	25



Better Rooting

- Channels air to the root zone
- Air prunes roots to promote root branching
- Prevents tap root formation and root girdling

Easier Handling

- Keeps soil intact during early development
- Protects root system during plant removal and transplant

Faster Planting

- Plants can be transplanted earlier and faster without having the extra step of removing and pricking up empty pots
- Less root damage and stress at transplant resulting in faster, more consistent establishment



AIR TRAY[®]

Propagation

A wide array of patented Air Tray[®] propagation trays to suit your specific propagation needs.

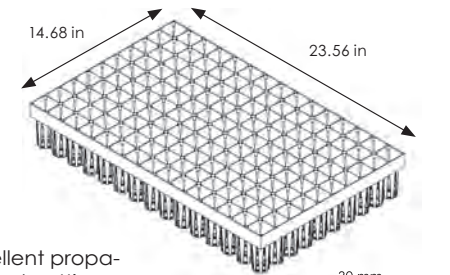
AIR TRAY®

Thermoform

Forestry, Fruit and Nut Tree, Citrus, woody ornamentals

Air Tray® 150 ct.

- 150 Tray count, 10 x 15 configuration
- 1120 Trays per pallet
- Injection Mold
- Tray ID 89540



Description

A 150ct for 30mm Ellepots, is an excellent propagation tray for both seed (Forestry) and cutting propagation (Fruit & Nut Tree). The Air Tray® design will establish better and support more top growth and caliper increase in the first year.

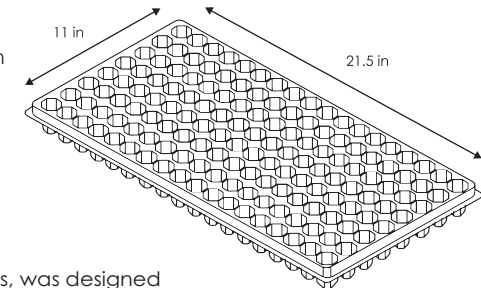
Manufactured by Blackmore Company

30 mm
90 mm
Volume = 78 ml/cm

Vegetable, Annuals, Perennials, Stage III Tissue Culture

Air Tray® 144 ct.

- 144 Tray Count, 8 x 18 configuration
- 1760 Trays per pallet
- Thermoform
- Tray ID 89360



Description

A 144-count tray for 20mm Ellepots, was designed with stage III tissue culture propagation in mind. The Ellepot stabilized media facilitates early grading after plants are removed from mist, helping to promote uniform growth and development early in the development process. The Ellepot is well-suited to accommodate frequent, low-volume mist applications, to maintain crop turgidity without causing waterlogging. Applicable for other comparable propagation crops.

Manufactured by Blackmore Company

20 mm
30 mm
Volume = 12 ml/cm

Hydroponic Lettuce, Stage III Tissue Culture, Perennials, Annuals

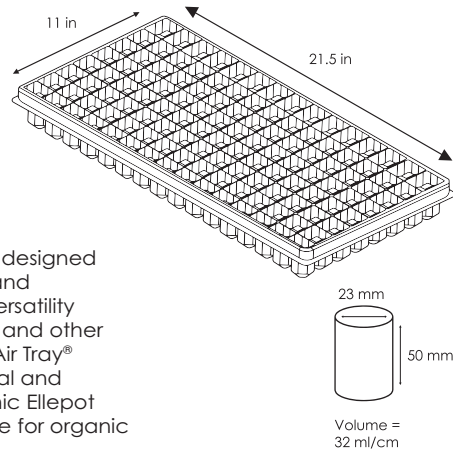
Air Tray® 128 ct.

- 128 Count, 8 x 16 configuration
- 1760 trays per pallet
- Thermoform
- Tray ID 88850

Description

A 128-count for 25mm Ellepots, was designed for hydroponic lettuce production and has demonstrated expanded use versatility for perennial, stage III tissue culture, and other fast-rooting liner production crops. Air Tray® Technologies offer both conventional and organic options, for example, organic Ellepot membrane and media are available for organic production applications.

Manufactured by Blackmore Company



Hemp and Cannabis (seed and vegetative cuttings), Perennials

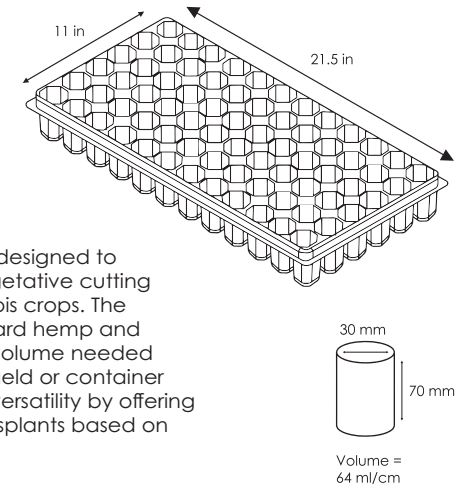
Air Tray® 72 ct.

- 72 Tray Count, 6 x 12 configuration
- 1760 trays per pallet
- Thermoform
- Tray ID 89100

Description

A 72-count for 30mm Ellepots, was designed to accommodate both seed and vegetative cutting propagation for hemp and cannabis crops. The cell size accommodates the standard hemp and cannabis cutting size, and the soil volume needed to produce a robust transplant for field or container transplant. The Ellepot expands its versatility by offering early dexterity in grading seed transplants based on variable germination rates.

Manufactured by Blackmore Company



Tropicals, Bougainvillea, Shrubs

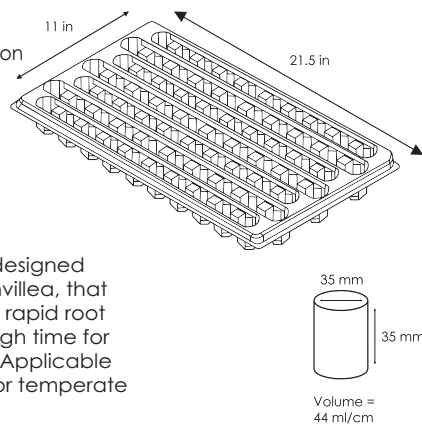
Air Tray® 73 ct.

- 73 tray count, Staggered configuration
- 1760 trays per pallet
- Thermoform
- Tray ID 89370

Description

A 73-count for 35mm Ellepots, was designed for fast-rooting tropicals like bougainvillea, that require a deeper cell to support the rapid root development, while providing enough time for the vegetative top growth to build. Applicable for other fast rooting tropical shrub or temperate shrub crops.

Manufactured by Blackmore Company



Hemp and Cannabis (seed and vegetative cuttings), Perennials

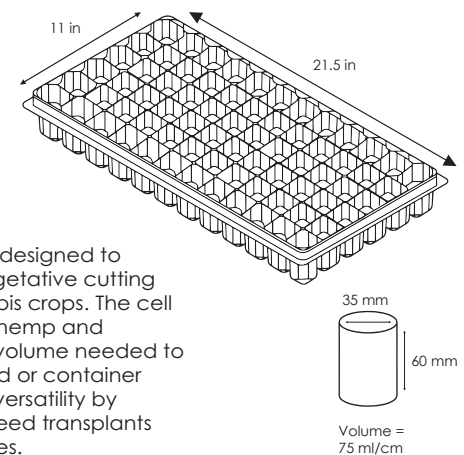
Air Tray® 72 ct.

- 72 Tray Count, 6 x 12 configuration
- 1760 trays per pallet
- Thermoform
- Tray ID 88750

Description

A 72-count for 35mm Ellepots, was designed to accommodate both seed and vegetative cutting propagation for hemp and cannabis crops. The cell size accommodates the standard hemp and cannabis cutting size, and the soil volume needed to produce a robust transplant for field or container transplant. The Ellepot expands its versatility by offering early dexterity in grading seed transplants based on variable germination rates.

Manufactured by Blackmore Company



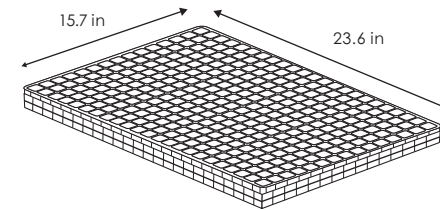
AIR TRAY®

Injection Molded

Forestry

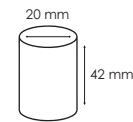
Air Tray® 345 ct.

- 345 Tray count, 15 x 23 configuration
- 235 Trays per pallet
- Injection Mold
- Tray ID 345S60H-1



Description

This 345 cell tray has a unique cell design that can either be loose filled or used with 20 mm diameter Ellepots. It's the ideal product for forestry growers looking to grow mini plugs. The unique cell design helps to air prune the root tips and offers excellent drainage and aeration. This container is also very well suited to leek production using Ellepots.



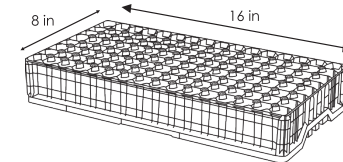
Volume =
17 ml/cm if loose filled
13.2 ml/cm if used
with an Ellepot

Manufactured by Proptek

Forestry

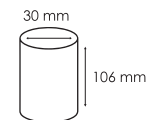
Air Tray® 128 ct.

- 128 Count, 16 x 8 configuration
- 101 trays per pallet
- Injection Mold
- Tray ID 128S671



Description

A 128- count for 30mm Ellepots, offers a deep cell designed specifically for forestry applications. The Air Tray design ensures uniform air movement for great aeration and drainage and air root pruning. The tray also keeps the plants raised off the ground away from standing water to allow air to better flow around the base to help air pruning. This also stops the plants sitting damp in puddles, helping reduce disease and waterlogging.



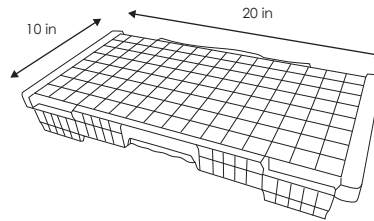
Volume =
66 ml/cm

Manufactured by Proptek

Hydroponic Lettuce, Stage III Tissue Culture, Perennials, Annuals

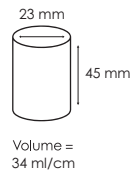
Air Tray® 128 ct.

- 128 Count, 16 x 8 configuration
- 408 trays per pallet
- Injection Mold
- Tray ID 128S101(SF)



Description

A 128-count for 23mm Ellepots, was designed for indoor hydroponic lettuce production and has demonstrated expanded use versatility for perennial, stage III tissue culture, and other fast-rooting liner production crops. Air Tray® Technologies offers both conventional and organic options, for example, organic Ellepot membrane and media are available for organic production applications.

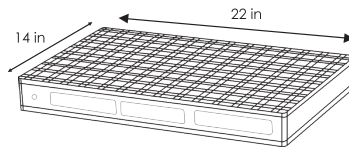


Manufactured by Proptek

Eucalyptus

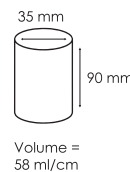
Air Tray® 126 ct.

- 126 Tray Count, 14 x 9 configuration
- 186 trays per pallet
- Injection mold
- Tray ID 126S58I



Description

A 126 count for 35mm Ellepots, is an excellent propagation tray for automated, semi-automated and manual eucalyptus propagation nurseries. Also suitable for any plant grown from a cutting, such as some fruit and nut trees, and forestry. Due to the outer wall, this tray will dry out slightly slower than the 126N58N, though this will still dry out quicker than a traditional setup. This means you should water less, but more often.

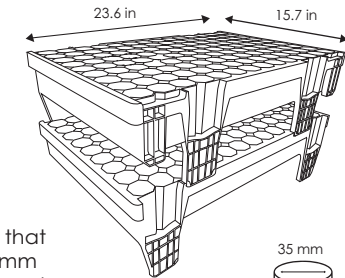


Manufactured by Proptek

Forestry, Woody Ornamentals

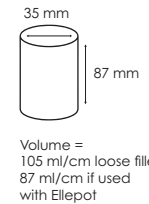
Air Tray® 126 ct.

- 126 Tray Count, 14 x 9 configuration
- 110 trays per pallet
- Injection mold
- Tray ID 126S60H



Description

This 126 cell tray has a unique cell design that can either be loose filled or used with 35 mm diameter Ellepots. The ideal product for forestry or woody ornamental growers who are looking to propagate their plant in an air pruning container, and from which it can then be transplanted into a larger container or directly into the final location. The unique cell design helps to air prune the root tips and offers excellent drainage and aeration.

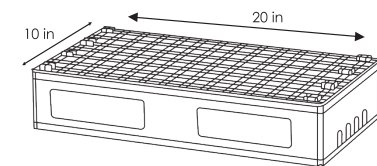


Manufactured by Proptek

Citrus, Fruit and Nut Trees, Forestry

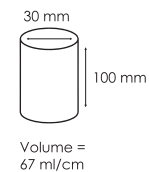
Air Tray® 98 ct.

- 98 Count, 14 x 7 configuration
- 176 trays per pallet
- Injection Mold
- Tray ID 098S20I



Description

A 98 count for 30mm Ellepots, was designed for automated, semi-automated and manual root-stock propagation nurseries. Suitable for any plant grown from a cutting, such as citrus, some fruit and nut trees and forestry. The superior root system produced by the Air Tray design will establish better and support more top growth and caliper increase in the first year.



Manufactured by Proptek

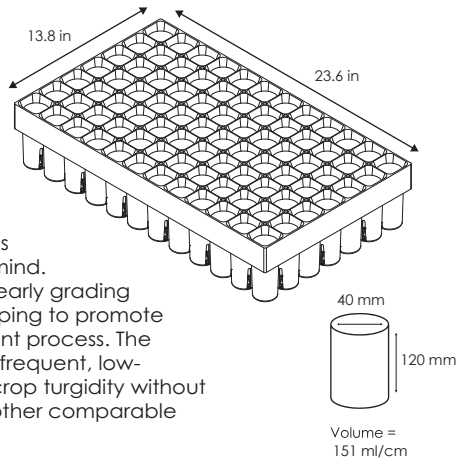
Vegetables, Annuals, Perennials, Forestry

Air Tray® 84 ct.

- 84 Tray Count, 6 x 12 configuration
- 1248 trays per pallet
- Thermoform
- Tray ID 89550

Description

An 84-count tray for 40mm Ellepots, was designed with forestry propagation in mind. The Ellepot stabilized media facilitates early grading after plants are removed from mist, helping to promote uniform growth early in the development process. The Ellepot is well-suited to accommodate frequent, low-volume mist applications, to maintain crop turgidity without causing waterlogging. Applicable for other comparable propagation crops.



Manufactured by Proptek

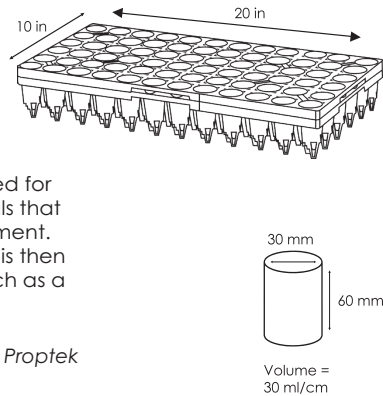
Smaller Landscape Trees, Woody ornamentals

Air Tray® 72 ct.

- 72 Tray count, 12 x 6 configuration
- 1248 trays per pallet
- Injection Mold
- Tray ID 072N101

Description

A 72-count for 30mm Ellepots, was designed for smaller landscape and woody ornamentals that don't require extensive rootmass development. This size also works well as a first stage that is then stepped up into a larger diameter cell, such as a shallow 80mm or 100mm.



Manufactured by Proptek

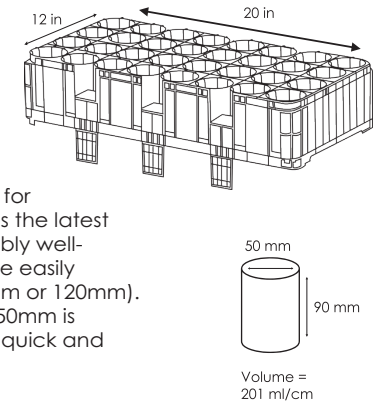
Propagating Trees and Shrubs

Air Tray® 32 ct.

- 32 Tray Count, 8 x 4 configuration
- 160 (LTL) Trays per pallet
- Injection Mold
- Tray ID 032S101D

Description

A 32-count for 50mm Ellepots, was designed for propagating trees and shrubs. This tray utilizes the latest Air Tray® design features to deliver an incredibly well-branched root system. This size Ellepot can be easily bumped up to a large Ellepot (such as 100mm or 120mm). A hole is drilled in the larger Ellepot and the 50mm is simply slotted in, making bumping up a very quick and efficient operation.



Manufactured by Proptek

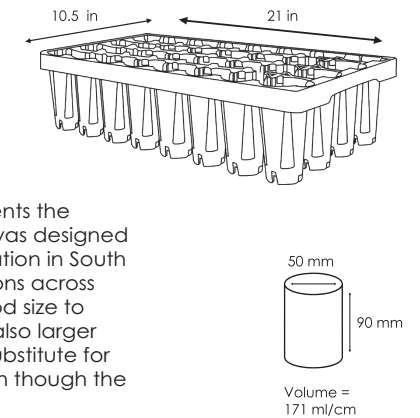
Fruit Trees

Air Tray® 32 ct.

- 32 Tray count, 8 x 4 configuration
- 1440 Trays per pallet
- Injection mold
- Tray ID 032GLOBAL

Description

A 32-count for 50mm Ellepots, compliments the 006Global. This propagation container was designed to address the issue of fruit tree propagation in South Africa, but has wide-reaching applications across the globe. A 50mm wide Ellepot is a good size to start propagating many fruit trees, and also larger landscape trees. It is also an excellent substitute for those trees grown in plastic bags — even though the container volume is typically smaller.



Manufactured by Proptek

RootZone™

By Blackmore Co.



Don't let the last experience be a flat one. RootZone enhances the customer experience and success.

Retail Benefits:

- Promotes impulse purchasing
- Easy to carry & take home
- Quick & Easy for consumer to plant
- No plastic for consumer disposal

Grower Benefits:

- Healthier root development
- Easier turns
- Easier handling & transplanting
- Higher plant uniformity
- Lower production footprint
- Reducing plastic by 95%



Plant-It-Friendly

Info@blackmoreco.com

www.Air-Trays.com



AIR TRAY[®]

Step-up & Finished Production

The latest breakthrough in patented Air Tray[®] design is the increased cell size available for step-up and finished production applications. We now offer a number of options up to 1-gallon in volume. These new Air Trays[®] provide a great alternative for growers looking to replace their plastic pots with a more sustainable option.

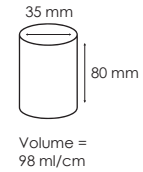
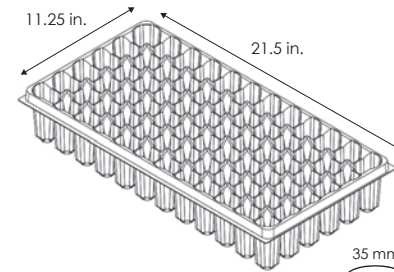
AIR TRAY®

Thermoform

Forestry, Hemp, Cannabis, Perennials, Woody Ornamentals

Air Tray® 72 ct.

- 72 Tray count, 6 x 12 configuration
- 1120 Trays per pallet
- Thermoform
- Tray ID 89520



Description

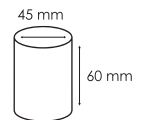
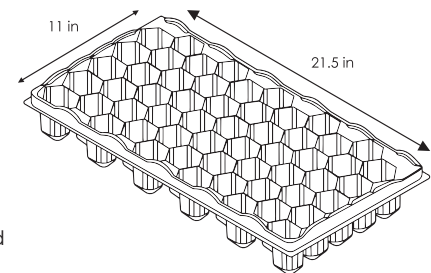
A 72ct for the 35mm Ellepots, was designed to accommodate both seed and vegetative cutting propagation. The soil volume will produce a robust transplant for both field and container. The Ellepot expands its versatility by offering early grading based on germination and cutting take rates.

Manufactured by Blackmore Company

Ornamental shrubs

Air Tray® 55 ct.

- 55 Tray count, staggered configuration
- 1760 Trays per pallet
- Thermoform
- Tray ID 89430



Description

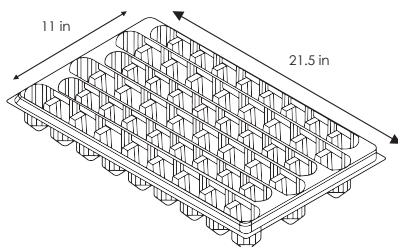
A 55-count for 45mm Ellepots, was designed for the ornamental shrub category and accommodates softwood, semi-hardwood and hardwood vegetative cuttings. The Air Tray® design promotes optimal root growth and even water distribution throughout the cell. Air Tray® Technologies offers dibbling options when applicable.

Manufactured by Blackmore Company

Autostix compatible, Vegetative Annuals and Perennials

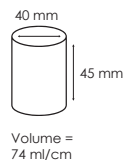
Air Tray® 51 ct.

- 51 Tray count, Staggered configuration
- 1760 trays per pallet
- Thermoform
- Tray ID 89380



Description

A 51-count staggered tray for 40mm Ellepots, was designed to be compatible with Visser's AutoStix® machine. Of note, the wider Ellepot diameter allows for enough space for the cutting and cartridge to be inserted and the staggered layout is easily read by the machine for pinpointed transplant accuracy. A diversity of cuttings are compatible with the AutoStix® system, making this a tray well-suited for a broad assortment of vegetatively propagated annuals and perennials.

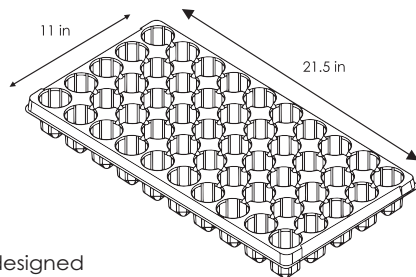


Manufactured by Blackmore Company

Hardwood and Softwood Berries

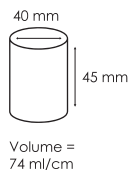
Air Tray® 50 ct.

- 50 Tray count, 5 x 10 configuration
- 1760 Trays per pallet
- Thermoform
- Tray ID 88830



Description

A 50-count for 40mm Ellepots, was designed for both hardwood and softwood berry propagation in order to promote fibrous root development by maintaining a medium moisture threshold while promoting aeration. Perennial vegetative cuttings have been grown successfully in this design as well.

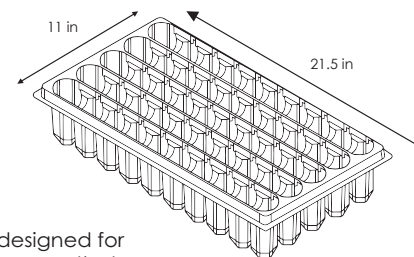


Manufactured by Blackmore Company

Tree (Citrus) and Shrub Crops

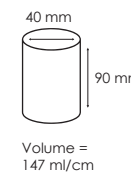
Air Tray® 50 ct.

- 50 Tray count, 10 x 5 configuration
- 1760 Trays per pallet
- Thermoform
- Tray ID 89420



Description

A 50-count for 40mm Ellepots, was designed for tree (crops include citrus) and shrub crops that develop a long tap root during propagation and require a deep cell to accommodate that. The Air Tray® design ensures even air distribution throughout the cell profile to promote air-root pruning and lateral and tertiary root development.

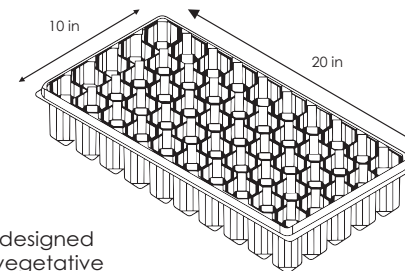


Manufactured by Blackmore Company

Hemp and Cannabis (seed and vegetative cuttings)

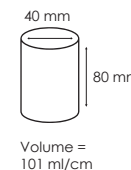
Air Tray® 50 ct.

- 50 Tray count, 5 x 10 configuration
- 1760 Trays per pallet
- Thermoform
- Tray ID 89470



Description

A 50-count for 40mm Ellepots, was designed to accommodate both seed and vegetative cutting propagation for hemp and cannabis crops. The more robust cell size (compared with 89100) accommodates additional growth and development for a more mature liner that will establish faster after transplant in the field or container.



Manufactured by Blackmore Company

Native Shrubs

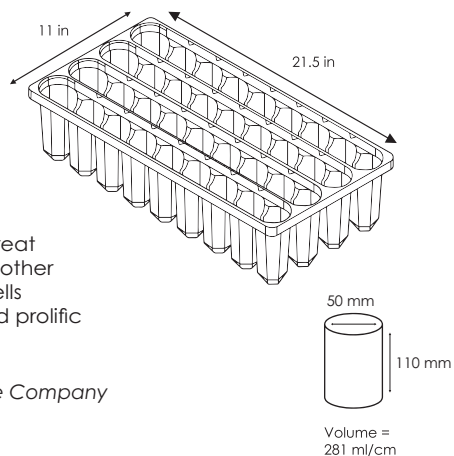
Air Tray® 36 ct.

- 36 Tray count, 9 x 4 configuration
- 1120 Trays per pallet
- Thermoform
- Tray ID 89220

Description

A 36-count for 50mm Ellepots, is a great solution for native shrubs along with other crops that need a tray with deep cells designed to accommodate fast and prolific root development.

Manufactured by Blackmore Company



Cannabis, Hemp, Forestry, Perennials

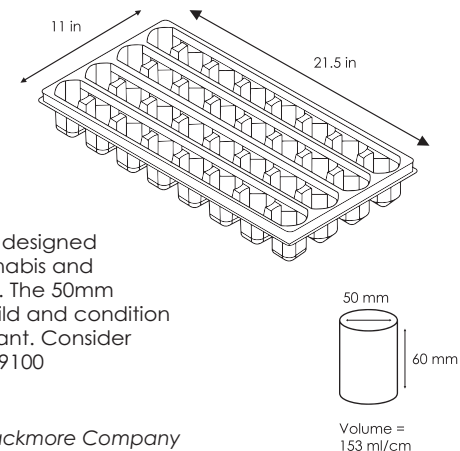
Air Tray® 32 ct.

- 32 Tray count, 8 x 4 configuration
- 1440 Trays per pallet
- Thermoform
- Tray ID 89010

Description

A 32-count for 50mm Ellepots, was designed for stepping up crops such as cannabis and hemp, forestry and perennial liners. The 50mm Ellepot provides more space to build and condition these crops before finished transplant. Consider starting these crops with Air Tray® 89100 (72-count, 30mm Ellepots).

Manufactured by Blackmore Company



Native shrubs

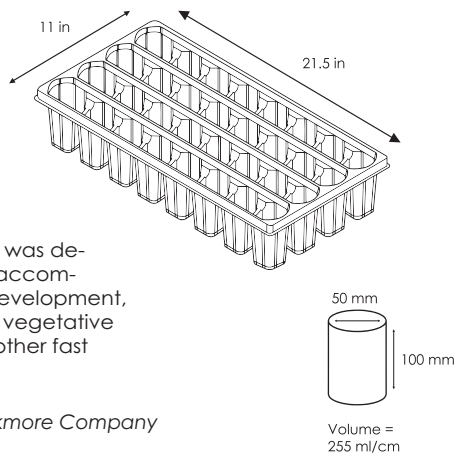
Air Tray® 32 ct.

- 32 Tray count, 8 x 4 configuration
- 1280 Trays per pallet
- Thermoform
- Tray ID 89050

Description

A 32-count for deep 50mm Ellepots, was designed for native shrubs, in order to accommodate their fast and prolific root development, while providing enough time for the vegetative top growth to build. Applicable for other fast and prolific rooting shrub crops.

Manufactured by Blackmore Company



Hemp, Cannabis, Hops, Native Plants

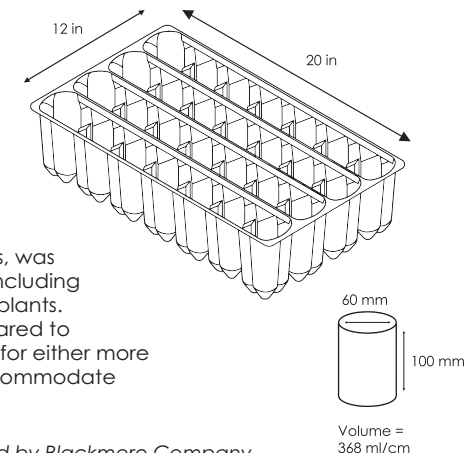
Air Tray® 28 ct.

- 28 Tray count, 4 x 7 configuration
- 1120 Trays per pallet
- Thermoform
- Tray ID 89480

Description

A 28-count for deep 60mm Ellepots, was designed to suit a range of crops including hemp, cannabis, hops and native plants. This tray offers a deeper cell compared to Air Tray® 82060, for growers looking for either more robust root development or to accommodate more prolific rooting varieties.

Manufactured by Blackmore Company



Hemp, Cannabis, Hops, Native Plants

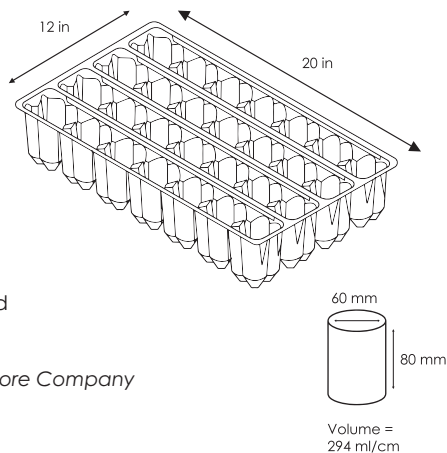
Air Tray® 28 ct.

- 28 Tray count, 4 x 7 configuration
- 1280 Trays per pallet
- Thermoform
- Tray ID 82060

Description

A 28-count for 60mm Ellepots, was designed to suit a range of crops including hemp, cannabis, hops and native plants.

Manufactured by Blackmore Company



Grapevines, Quart Alternative

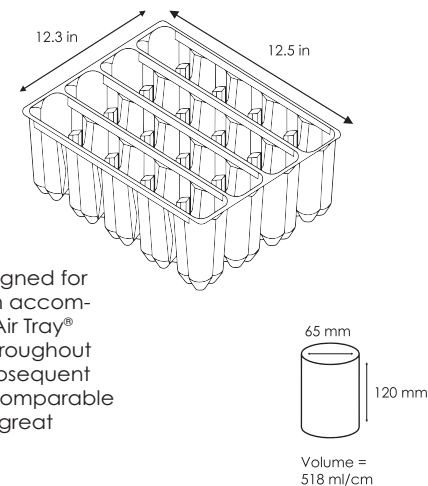
Air Tray® 20 ct.

- 20 Tray count, 4 x 5 configuration
- 1260 Trays per pallet
- Thermoform
- Tray ID 82020

Description

A 20-count for 65mm Ellepots, was designed for grapevine propagation. The cell depth accommodates the longer cuttings, and the Air Tray® design ensures proper air circulation throughout the cell during callus formation and subsequent root development. The cell volume is comparable to that of a quart container, offering a great alternative to the plastic pot.

Manufactured by Blackmore Company



Grapevines, Quart Alternative

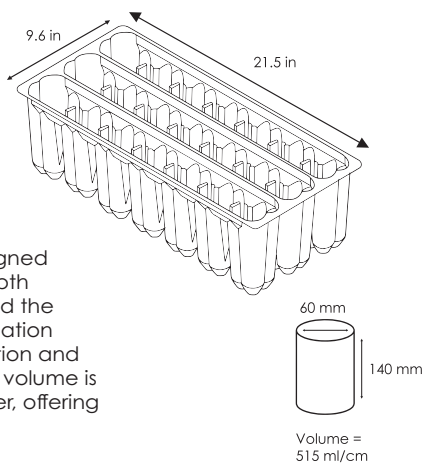
Air Tray® 21 ct.

- 21 Tray count, 3 x 7 configuration
- 1260 Trays per pallet
- Thermoform
- Tray ID 82010

Description

A 21-count for 60mm Ellepots, was designed for grapevine propagation. The cell depth accommodates the longer cuttings, and the Air Tray® design ensures proper air circulation throughout the cell during callus formation and subsequent root development. The cell volume is comparable to that of a quart container, offering a great alternative to the plastic pot.

Manufactured by Blackmore Company



Fruit and Nut Trees

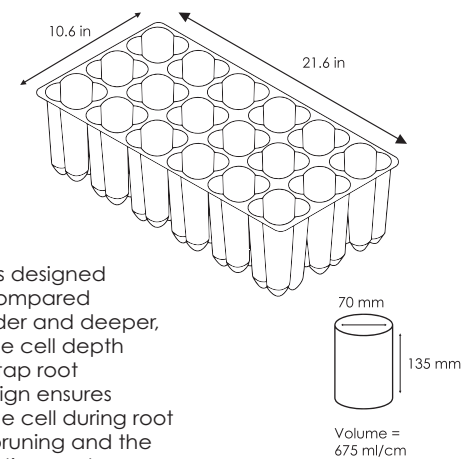
Air Tray® 18 ct.

- 18 Tray count, 3 x 6 configuration
- 1120 Trays per pallet
- Thermoform
- Tray ID 81920

Description

An 18-count for 70mm Ellepots, was designed for fruit and nut tree production. Compared to Air Tray® 89280, this tray cell is wider and deeper, for larger more vigorous species. The cell depth accommodates cuttings prone to tap root development and the Air Tray® design ensures proper air circulation throughout the cell during root development to promote air root pruning and the development of secondary and tertiary roots.

Manufactured by Blackmore Company



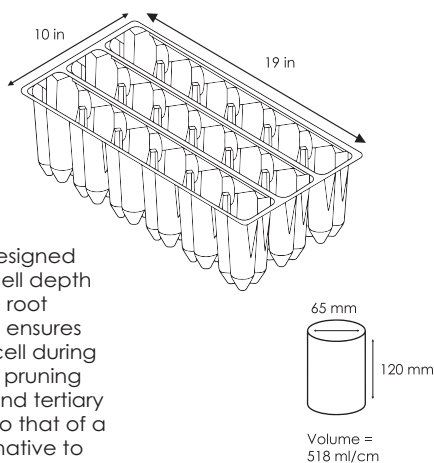
Fruit and Nut Trees

Air Tray® 18 ct.

- 18 Tray Count, 3 x 6 configuration
- 1280 Trays per pallet
- Thermoform
- Tray ID 89280

Description

An 18-count for 65mm Ellepots, was designed for fruit and nut tree production. The cell depth accommodates cuttings prone to tap root development and the Air Tray® design ensures proper air circulation throughout the cell during root development to promote air root pruning and the development of secondary and tertiary roots. The cell volume is comparable to that of a quart container, offering a great alternative to the plastic pot.



Manufactured by Blackmore Company

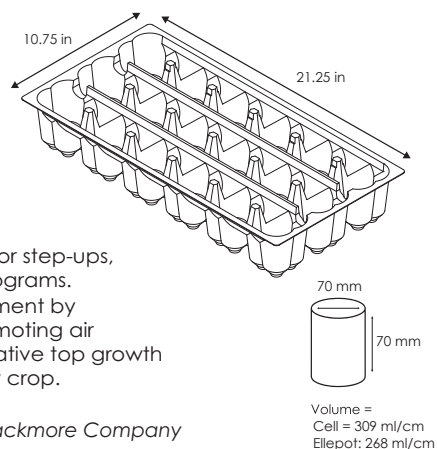
Foliage, vegetable, Herbs, Annuals, Perennials

Air Tray® 18 ct.

- 18 Tray count, 3 x 6 configuration
- 1220 Trays per pallet
- Thermoform
- Tray ID 82070

Description

An 18ct 70mm is a versatile option for step-ups, quick turn crops and landscape programs. The tray provides fast root development by providing proper air circulation promoting air root pruning, while providing vegetative top growth time to build. Can be used with any crop.



Manufactured by Blackmore Company

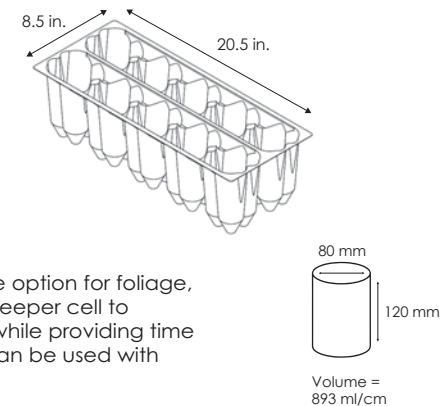
Foliage, vegetable, Herbs, Annuals, Perennials

Air Tray® 10 ct.

- 10 Tray count, 2 x 5 configuration
- 1200 Trays per pallet
- Thermoform
- Tray ID 82100

Description

A 10ct for 80mm Ellepots is a versatile option for foliage, tropicals native plants that need a deeper cell to support the fast root development, while providing time of vegetative top growth to build. Can be used with any temperate shrub crops.



Manufactured by Blackmore Company

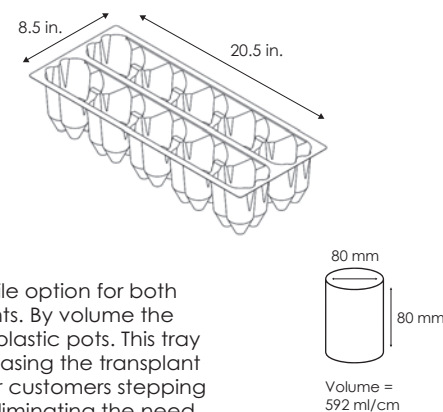
Foliage, vegetable, Herbs, Annuals, Perennials

Air Tray® 10 ct.

- 10 Tray count, 2 x 5 configuration
- 1120 Trays per pallet
- Thermoform
- Tray ID 82110

Description

A 10ct for 80mm Ellepots is a versatile option for both landscape, foliage and native plants. By volume the tray is a good option for the 4-4.5" plastic pots. This tray also has the added benefit of increasing the transplant speed for both landscapers and for customers stepping up into larger containers. It is also eliminating the need to dispose of a plastic pot.



Manufactured by Blackmore Company

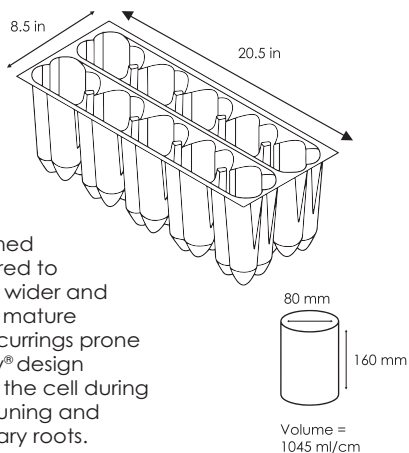
Fruit and Nut Trees

Air Tray® 10 ct.

- 10 Tray count, 2 x 5 configuration
- 1100 Trays per pallet
- Thermoform
- Tray ID 81940

Description

A 10-count for 80mm Ellepots, was designed for fruit and nut tree production. Compared to Air Trays® 89280 and 81940, this tray cell is wider and deeper, for larger more vigorous or more mature species. The cell depth accommodates curings prone to tap root development and the Air Tray® design ensures proper air circulation throughout the cell during root development to promote air root pruning and the development of secondary and tertiary roots.



Manufactured by Blackmore Company

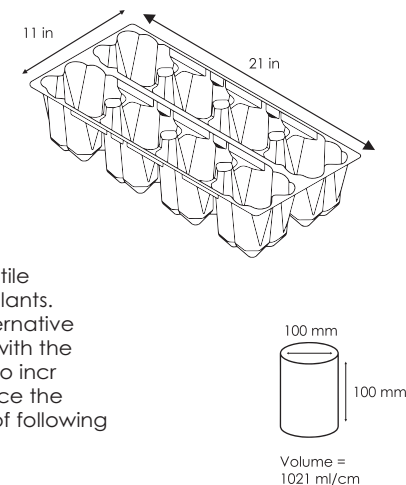
Landscape crops, Native plants

Air Tray® 8 ct.

- 8 Tray count, 2 x 4 configuration
- 1440 Trays per pallet
- Thermoform
- Tray ID 81870

Description

An 8-count for 100mm Ellepots, is a versatile option for landscape crops and native plants. By volume this Air Tray® offers a great alternative to 4.5-5 inch plastic containers, coming with the added benefits for landscapers looking to increase their transplanting speed and reduce the amount of plastic they have to dispose of following a project.



Manufactured by Blackmore Company

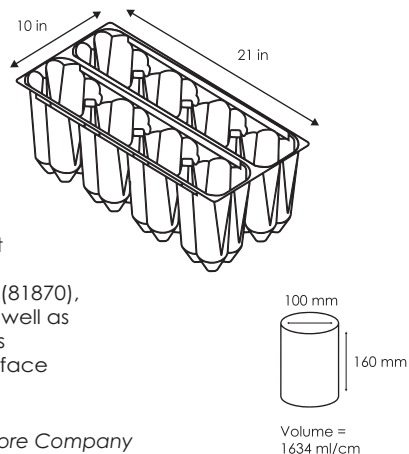
Fruit and Nut Trees, Ornamentals, 6 inch container alternative

Air Tray® 8 ct.

- 8 Tray count, 2 x 4 configuration
- 960 Trays per pallet
- Thermoform
- Tray ID 89290

Description

An 8-count for 100mm Ellepots, is a great alternative to 6 inch plastic containers. Offering a deeper cell to its compliment (81870), this tray is great for fruit and nut trees, as well as ornamentals. The Air Tray® design ensures optimal air circulation around the soil surface to optimize air root pruning



Manufactured by Blackmore Company

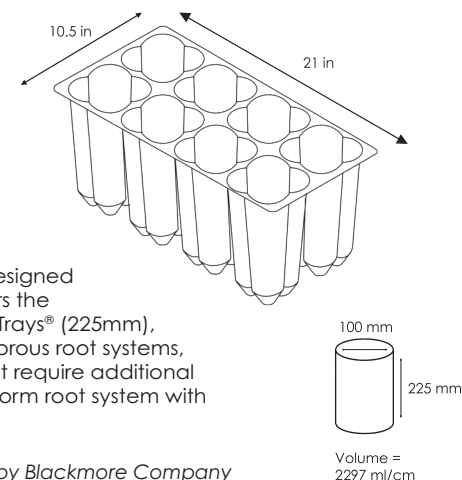
Tree Production

Air Tray® 8 ct.

- 8 Tray count, 2 x 4 configuration
- 960 Trays per pallet
- Thermoform
- Tray ID 82030

Description

An 8-count for 100mm Ellepots, is designed for tree production. This design offers the deepest cell depth available in Air Trays® (225mm), making it suitable for crops with vigorous root systems, prone to tap root development that require additional space and depth to achieve a uniform root system with robust top growth.



Manufactured by Blackmore Company

Fruit and Nut Trees, Ornamentals, One-gallon container alternative

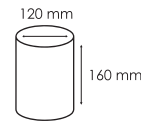
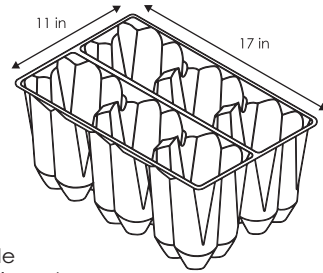
Air Tray® 6 ct.

- 6 Tray count, 2 x 3 configuration
- 1400 Trays per pallet
- Thermoform
- Tray ID 82000

Description

A 6-count for 120mm Ellepots, is a versatile alternative to one-gallon containers. Designed and used for fruit and nut trees as well as ornamentals that require a deeper cell volume for sufficient root development. The Air Tray® design ensures optimal air circulation around the soil surface to optimize air root pruning.

Manufactured by Blackmore Company



Volume = 2352 ml/cm

Foliage, vegetable, Herbs, Annuals, Perennials

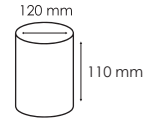
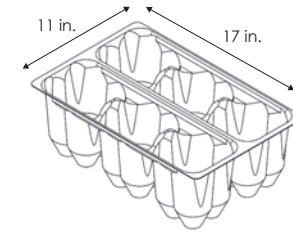
Air Tray® 6 ct.

- 6 Tray count, 2 x 3 configuration
- 1120 Trays per pallet
- Thermoform
- Tray ID 82080

Description

A 6ct for 120mm Ellepots is versatile option for annuals and foliage. This is a great set up option to reduce grow time in hanging baskets and other large containers. Additional benefits are the elimination of the plastic pot and increase in transplant speed.

Manufactured by Blackmore Company



Volume = 1737 ml/cm

Fruit & Nut Trees, Landscape Trees, Woody Ornamentals, Forestry

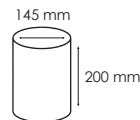
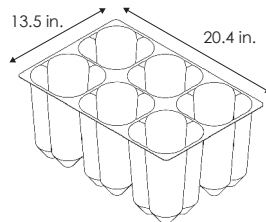
Air Tray® 6 ct.

- 6 Tray count, 2 x 3 configuration
- 560 Trays per pallet
- Thermoform
- Tray ID 82090

Description

A 6-count for 145mm Ellepots, is the largest Thermoform Air Tray® available. The 145mm Ellepot is an equivalent to a 2 gallon loose fill container and ensures optimal air circulation optimizing air root pruning. The 200mm depth allows for uniform root system with robust top growth.

Manufactured by Blackmore Company



Volume = 4474 ml/cm

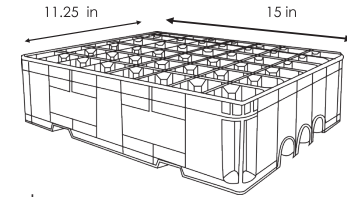
AIR TRAY®

Injection Molded

Forestry, Landscape, Woody Ornamental, Native plants

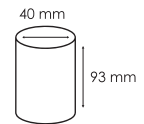
Air Tray® 48 ct.

- 48 Tray count, 8 x 6 configuration
- 286 Trays per pallet
- Injection Mold
- Tray ID 048S38I



Description

A 48-count for 40mm Ellepots, was introduced in 2021. This tray and cell size is perfect for propagating many types of forestry, landscape, woody ornamental and native plants. This size of Ellepot can then be easily stepped up to an even larger Ellepot (such as an 80mm or 100mm). A hole is drilled in the larger Ellepot and the 40mm is simply slotted in, making stepping up a very quick and efficient operation.



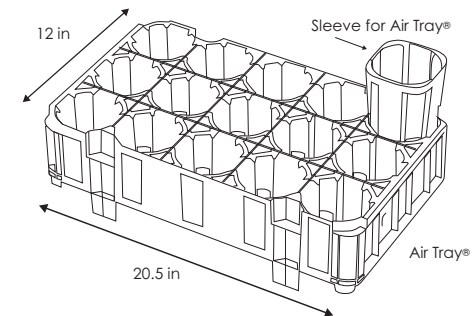
Volume = 111 ml/cm

Manufactured by Proptek

Fruit Trees, Landscape Trees, Shrubs Woody Ornamentals

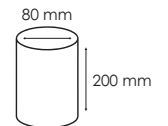
Air Tray® 15 ct.

- 15 Tray count, 5 x 3 configuration
- 176 Trays per pallet
- 3000 Sleeves per pallet
- Injection Mold
- Tray ID 015SLET
- Sleeve ID 015SLEM



Description

The 15 Cell Sleeve and Trays is designed to hold an 80mm Ellepot. The benching tray holds either 15 4" deep Ellepots or 15 sleeves that hold 8" deep Ellepots. The sleeve slots easily into the tray and is easily lifted out manually or mechanically for grading and spacing etc. One of the key concepts with the AirTray/Ellepot System is how compatible with automation it is. Serious time and money efficiency savings can be made throughout the whole growing process, right from filling, to sorting & grading to shipping out of the door. 80mm is the perfect size for fruit trees such as apples and pears, grapes, landscape trees and all shrubs.



Volume = 923 ml/cm

Manufactured by Proptek

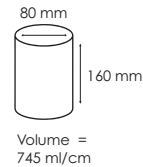
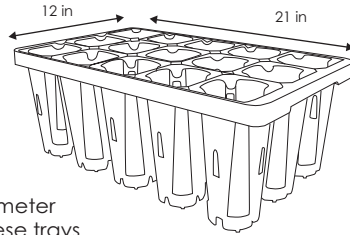
Fruit Trees, Landscape Trees

Air Tray® 15 ct.

- 15 Tray count, 5 x 3 configuration
- 492 Trays per pallet
- Injection Mold
- Tray ID 015GLOBAL

Description

This 15 cell container holds 80mm diameter Ellepots. Produced in South Africa, these trays nest very closely together keeping global shipping costs to a minimum. An 80mm wide Ellepot is the perfect size for the secondary stage of propagating many fruit trees, and also larger landscape trees. It is also an excellent substitute for those trees grown in plastic bags – even though the container volume is typically smaller. This is because the root system is far superior than when grown in plastic bags or pots, meaning a smaller root system can support a much larger tree.



Manufactured by Proptek

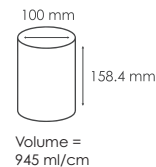
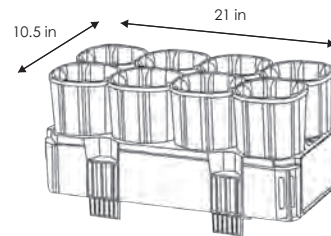
Fruit Trees, Landscape Trees

Air Tray® 8 ct.

- 8 Tray count, 4 x 2 configuration
- 144 (LTL) Trays per pallet
- Injection Mold
- Tray ID 008SLET

Description

An 8-count for 100mm Ellepots, is the most popular injection molded Air Tray option, producing exceptional results across California, the wider United States & the world. The 8 cell sleeve and tray is the largest celled growing system and is designed to hold a 100mm Ellepot. The benching tray holds either 8 shallow (4.5 inch) Ellepots or 8 sleeves that hold a deep (9 inch) Ellepot.



Manufactured by Proptek

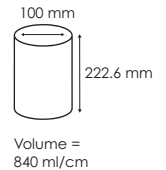
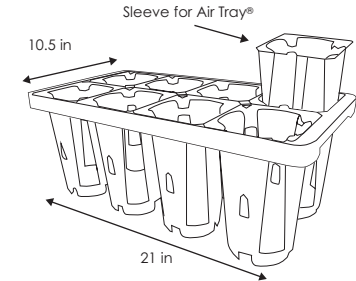
Fruit Trees, Landscape Trees, Woody Ornamentals

Air Tray® 8 ct.

- 8 Tray count and sleeves, 4 x 2 configuration
- 640 Trays per pallet
- 3968 Sleeves per pallet
- Injection Mold
- Tray ID 008GLOBSLED

Description

The 8 cell Air Tray holds 8 individual 100mm diameter Ellepots, and complements the other Air Trays that Proptek has introduced over the last couple of years. This propagation container has been designed to provide a solution for many types of fruit tree propagation, and is ideally suited to replace the 1 Gallon Pot for landscape tree and woody ornamental propagation. Using Ellepots in this long-lasting Air Tray will also help to vastly reduce plastic waste. And because the containers nest so well, this really helps to keep global shipping costs to a minimum.



Manufactured by Proptek

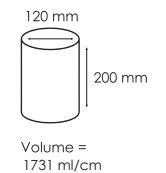
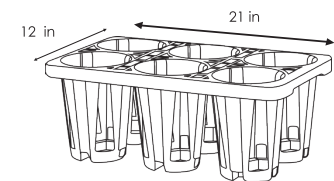
Fruit Trees, Landscape Trees

Air Tray® 6 ct.

- 6 Tray count, 3 x 2 configuration
- 4929 Trays per pallet
- Injection Mold
- Tray ID 006GLOBAL

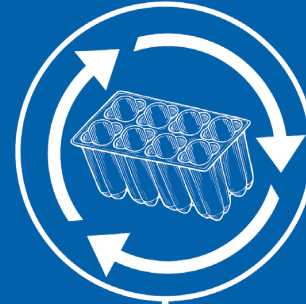
Description

A 6-count for 120mm Ellepots, is the largest injection molded Air Tray available that is Ellepot-compatible. The containers nest closely together, keeping global shipping costs to a minimum. A 120mm wide Ellepot is the equivalent of a gallon pot loose-fill container and is designed and used for both fruit tree and larger landscape tree production.



Manufactured by Proptek

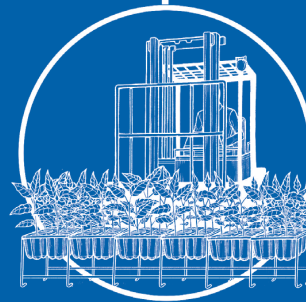
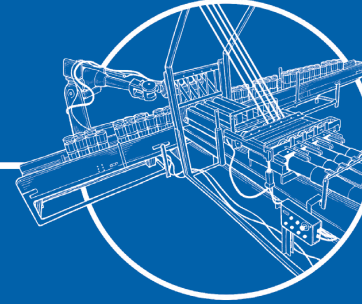
Patented Air Tray®
Better Rooting.
Recyclable.



Ellepot
Faster Handling.
Plantable Pot.



Automation
Less Labor.
More Efficiencies.



Patent Pending Air Tray® Racks
Consolidate Movement.
Reduce Pathogens.

Introducing

Air Tray® Technologies are a selection of exclusive production technologies complimentary to the patented Air Tray® and developed by green industry leaders. Air Tray® Technologies are customized solutions tailored for seamless plant production efficiencies.



ELLEPOT

Air Tray Synergy

The combination of the Ellepot with the patented Air Tray® maximizes the amount of air that can flow around the exterior root surface for optimal air root pruning.

Production Benefits

Holds the growing media together while the plant is growing. This stabilization allows plants to be graded or transplanted sooner than in traditional systems; offers growers the option to customize the media to their crop preferences; and is the plantable, sustainable alternative to the plastic pot.

AIR TRAY® RACKS

Patent pending Air Tray® Racks offer a cost effective way to automate movement of plants around the nursery. Easily centralize transplanting and grading. Plants benefit from the increased air movement and reduced risk of pathogen transfer.



AUTOMATION

Save time, gain efficiencies, and create savings throughout the entire production process with manual, semi-automated, or fully automated applications.



Transplanter

Da Ros



Flex Air Line

Ellepot



Turbo Multi Flex

Ellepot



Cylinder Seeder

Blackmore

Our Team is here to help you:

Lars Jensen

International

lpj@blackmore.com
+1 321-960-7416

David Dobos

Director of Client Relations

International

dd@blackmore.com
+1 603-440-8728

Michael Taylor

Senior Nursery Specialist

International

mt@blackmore.com
+1 503-805-1222

Danny Takao

Senior Nursery Specialist

Western USA and Canada

dannytakao@blackmore.com
+1 559-351-0318

John Cooley

Cell Design Specialist

International

jcooley@blackmore.com
+1 831-603-2441

Joe Osterholtz

Consultant

International

josterholtz@blackmore.com
+1 425-210-9953

Gale Siemans

Sales Manager

Western USA

gsiemans@blackmore.com
+1 408-547-7800

Sandra Fischbein

Sales Manager

Western USA

sfischbein@blackmore.com
+1 805-574-5347

Violeta Ruiz Gonzalez

Sales Manager

Europe, Central & South America

vrugonzalez@blackmore.com
+52 44 2205 1493, Mexico
+34 635 617 657, Spain

Complimentary to Air-Tray® Technologies



#1 Pioneer Pot® patented Pot and holder

The Patented Pioneer Pot® stimulates the production of absorbing and structural roots to promote a well developed rootball and vigorous plant.

PATENTED PIONEER POT®

- ✓ Promotes root growth that extends radially from the main stem.
- ✓ Promotes lateral roots on taproot species.
- ✓ Promotes a fibrous, evenly distributed root system.
- ✓ Promotes good drainage and eliminates soggy roots.
- ✓ Minimizes root defects.
- ✓ Minimizes plastic.
- ✓ Maximizes quality root development.



Pioneer Pot® racks (Patent pending)

Find out how the Patented Pioneer Pot® works at www.blackmoreco.com/pioneer-pots

Discover the Difference

800-874-8660

www.air-trays.com

info@blackmoreco.com

[in](#) Blackmore Company

[@](#) Blackmore Company

[▶](#) Blackmore Company



BLACKMORE COMPANY
ESTABLISHED 1965